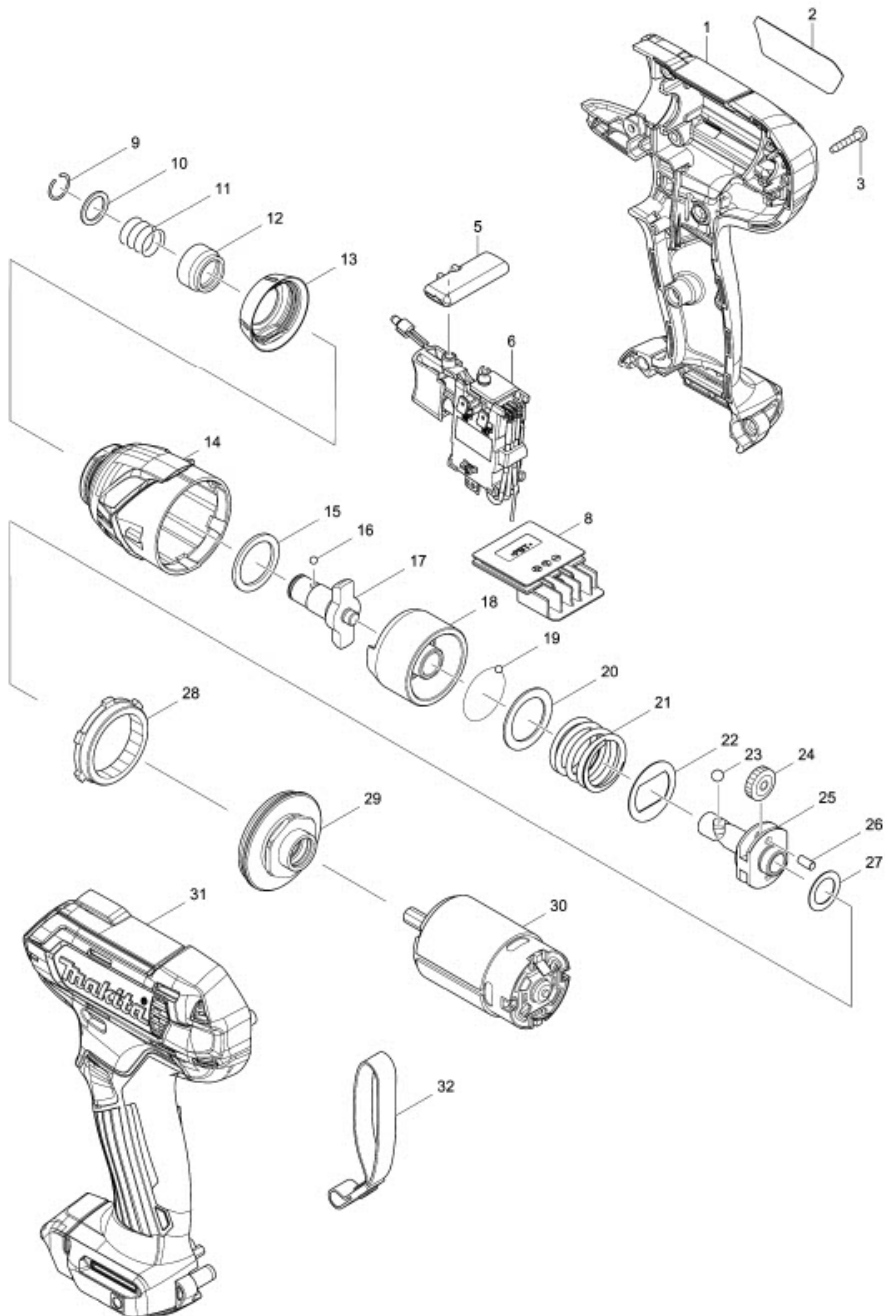


Part Diagram

Model No.TD110D CORDLESS IMPACT DRIVER



Item	Sub	Parts No.	Parts Description	Qty
001		183B49-8	HOUSING SET	1
001	C10	252126-6	HEX. LOCK NUT M4-7	2
001	D10		INC. 31	
002		851G86-7	TD110D NAME PLATE	1
002-1		851G85-9	TD110D NAME PLATE	1
003		266429-2	TAPPING SCREW 3X16	8
005		456039-5	F/R CHANGE LEVER	1
006		632F43-6	SWITCH UNIT	1
006	C10	620463-0	LED CIRCUIT	1
006-1		632J77-3	SWITCH UNIT	1
006-1	C10	620625-0	LED CIRCUIT	1
008		644813-5	TERMINAL	1
009		231965-7	RING SPRING 10	1
010		267143-3	FLAT WASHER 11	1
011		233005-7	COMPRESSION SPRING 13	1
012		324711-6	BIT SLEEVE	1
013		424737-9	BUMPER	1
014		143277-5	HAMMER CASE COMPLETE	1
015		261140-1	NYLON WASHER 20	1
016		216019-1	STEEL BALL 3	2
017		324896-8	ANVIL N	1
018		324894-2	HAMMER	1
019		216019-1	STEEL BALL 3	24
020		267380-9	FLAT WASHER 20	1
021		234064-4	COMPRESSION SPRING 21	1
022		267813-4	WASHER 21	1
023		216002-8	STEEL BALL 4.8	2
024		227213-0	SPUR GEAR 17	2
025		324897-6	SPINDLE	1
026		268217-3	PIN 3.5	2
027		253052-2	FLAT WASHER 12	1
028		227215-6	INTERNAL GEAR 43	1
029		158671-8	BEARING BOX COMPLETE	1
030		629163-9	DC MOTOR	1
031		183B49-8	HOUSING SET	1
031	C10	252126-6	HEX. LOCK NUT M4-7	2
031	D10		INC. 1	
A01		266622-8	+ TRUSS HEAD SCREW M4X12	1
A02		346909-5	HOOK	1
A03		784202-3	PHILLIPS BIT 2-45	1
A03B		784202-3	PHILLIPS BIT 2-45	1
A03-1		E-08436	TWIST TORSION BIT PH2-65MM	1
A03-1B		E-08436	TWIST TORSION BIT PH2-65MM	1
A04		456128-6	BATTERY COVER	1
A05B		***DC10SB	DC10SB BATTERY CHARGER	1
A05B	D10		COMPO-PARTS	
A05		***DC10WD	DC10WD BATTERY CHARGER	1
A05C	D10		COMPO-PARTS	
A06B		197406-2	BATTERY BL1041B SET	2
A06C		197396-9	BATTERY BL1021B SET	2
A06D		197393-5	BATTERY BL1016 SET	2
A06-1B		197406-2	BATTERY BL1041B SET	2
A06-1C		197396-9	BATTERY BL1021B SET	2
A06-1D		191B84-2	BATTERY BL1016 SET	2
A06-2B		191B86-8	BATTERY BL1041B SET	2
A06-2C		191B85-0	BATTERY BL1021B SET	2
A07		821661-1	PLASTIC CARRYING CASE	1
A07B	C10	417724-5	LATCH	2